

Wells-Index

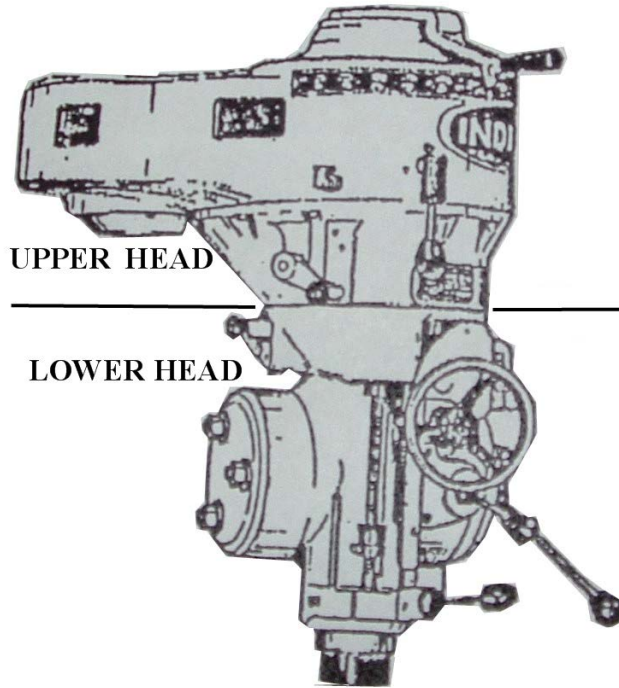
701 West Clay Ave. Muskegon, MI 49440 USA

Phone 231/759-0950 Fax 231/728-7456

sales@wellsindex.com www.wellsindex.com

SERVICE BULLETIN

HEAD REBUILDING FOR VARIABLE SPEED HEAD ASSEMBLIES



* Used on models 747VS, 847, 887, and 860C

* Complete tear down and reassembly

* New grey paint * New chrome on quill

* All parts inspected and all bad or worn parts replaced

* Available with R-8 or # 30 MMT taper * 40 MMT, 200 and 300 Kwik switch spindle taper quoted on request

* Upper head assemblies do not include motor or motor pulley repair * New drawbar with lower head

* Freight charges are not included and are customers responsibility

* All rebuilt units include a 90 day warranty

* All New bearings and new belts

* Head bore lapped to newly ground quill

* New quill lever assembly with lower head

Part Number	Description	Price
000-700-715CE	Complete head assembly rebuilt exchange	\$3250.00
000-700-710UE	Upper head assembly only rebuilt exchange	\$1695.00
000-700-712LE	Lower head assembly only rebuilt exchange	\$1825.00
000-700-715CR	Rebuild your complete head assembly	\$2810.00
000-700-710UR	Rebuild your upper head assembly	\$1555.00
000-700-712LR	Rebuild your lower head assembly	\$1675.00

PLEASE NOTE: All major castings must be in useable condition